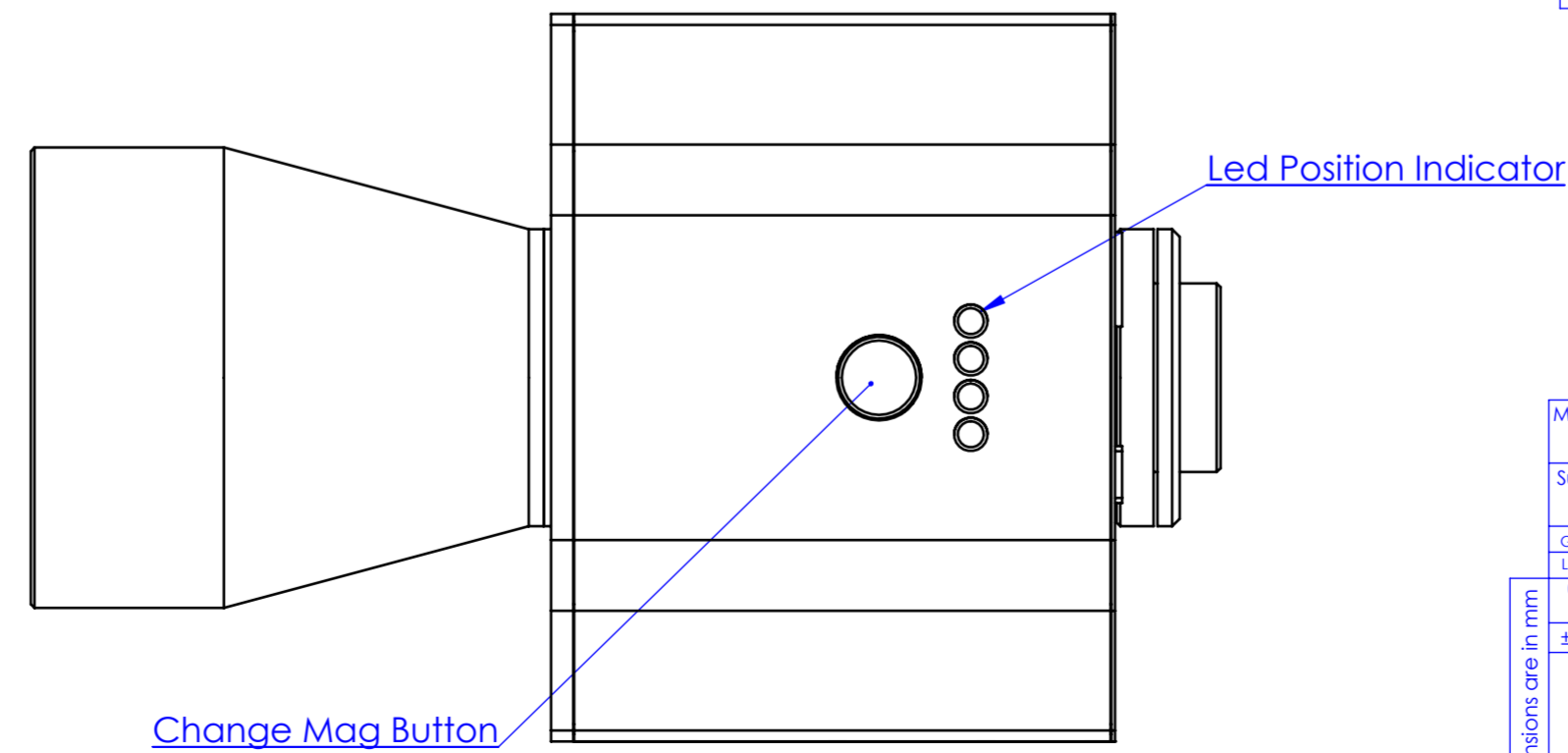
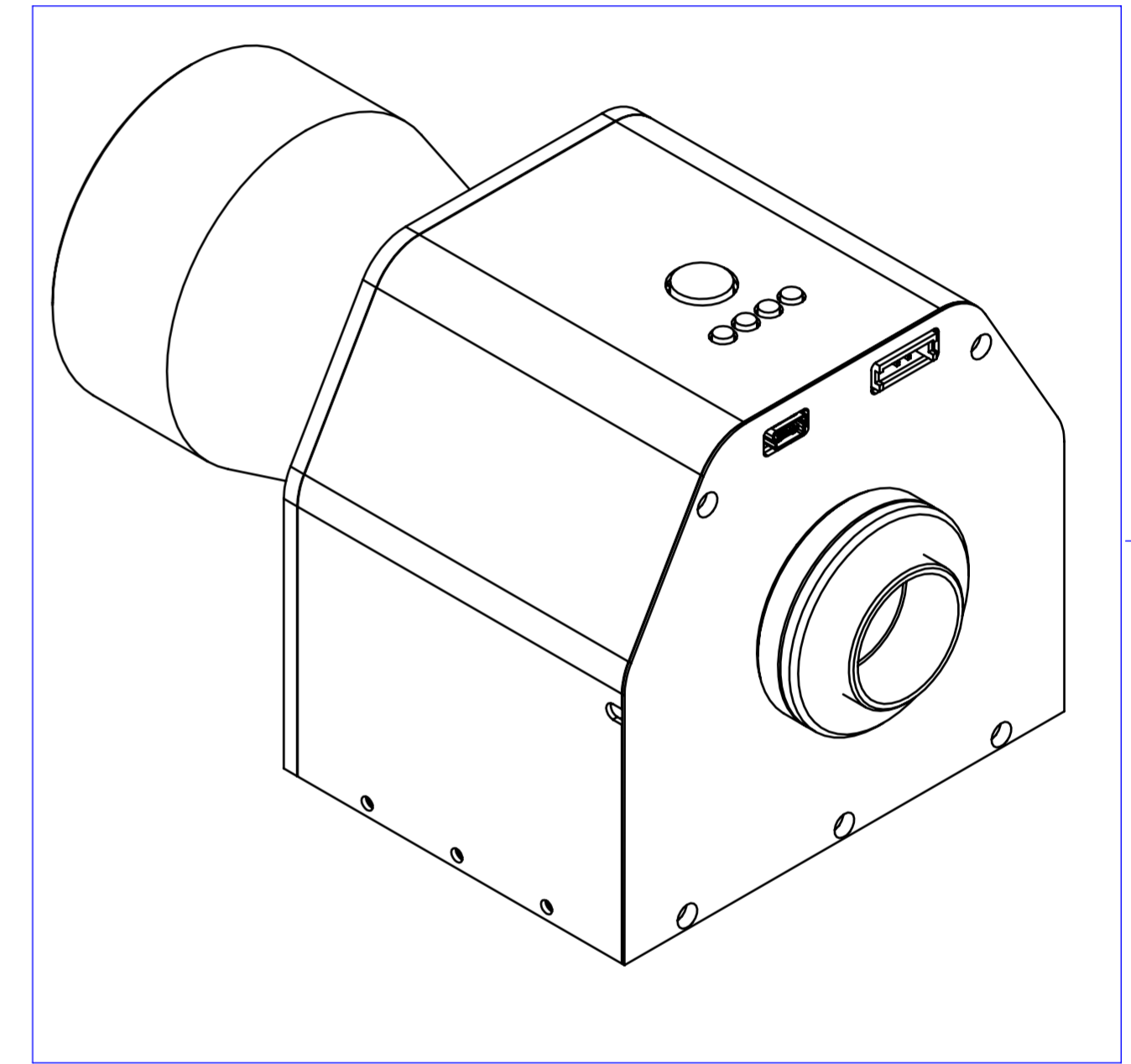
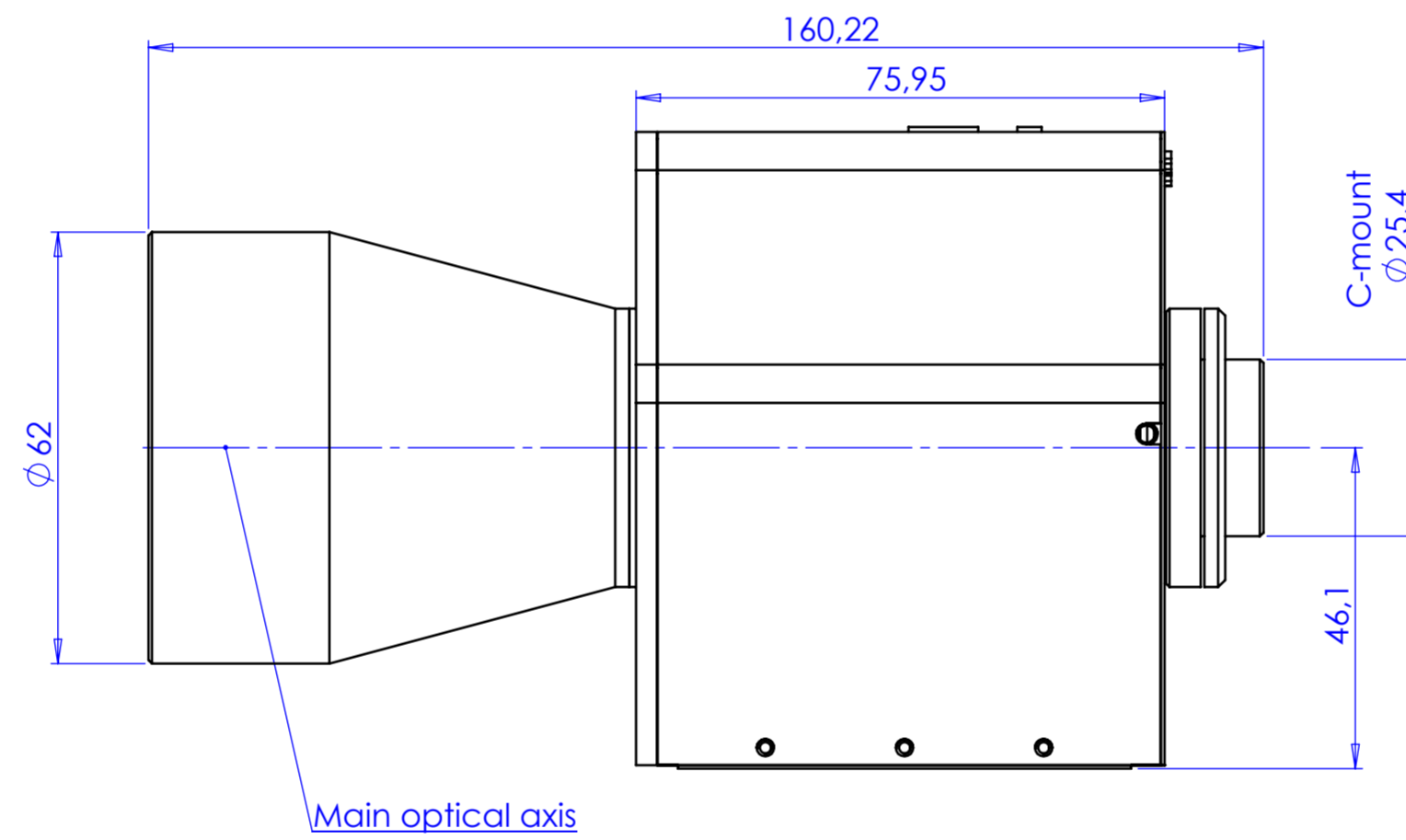
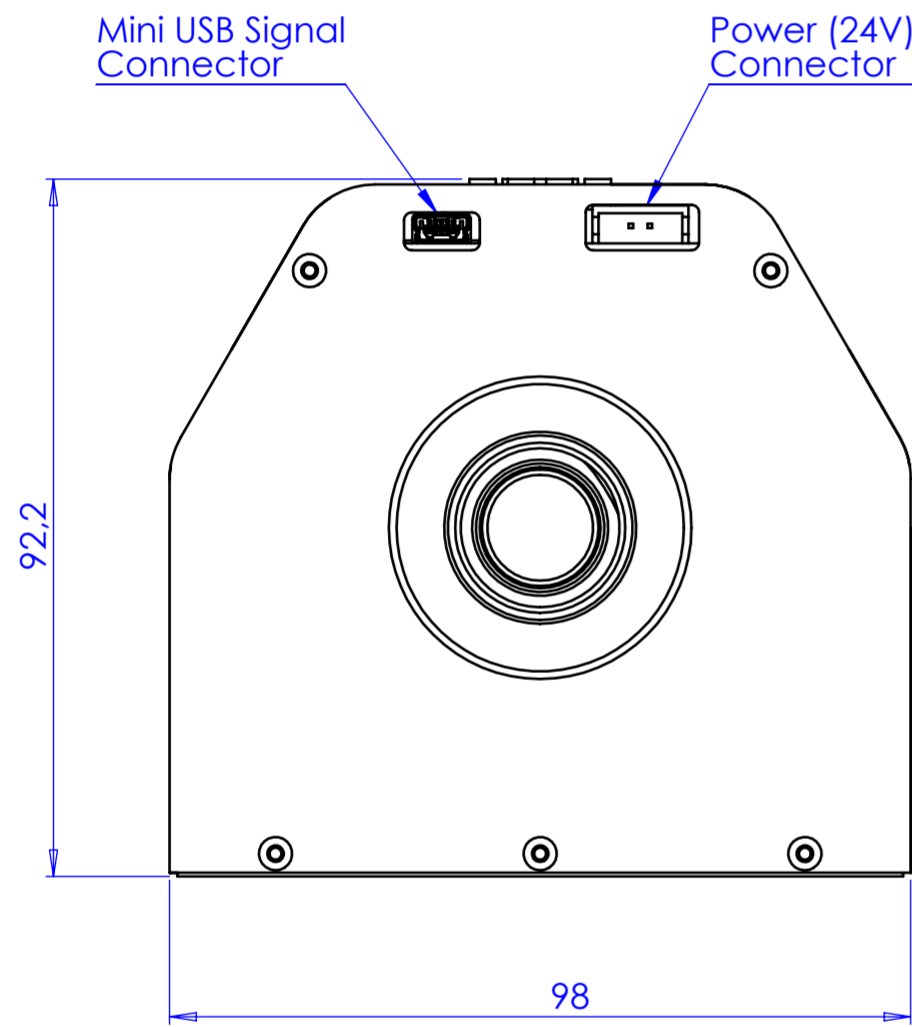
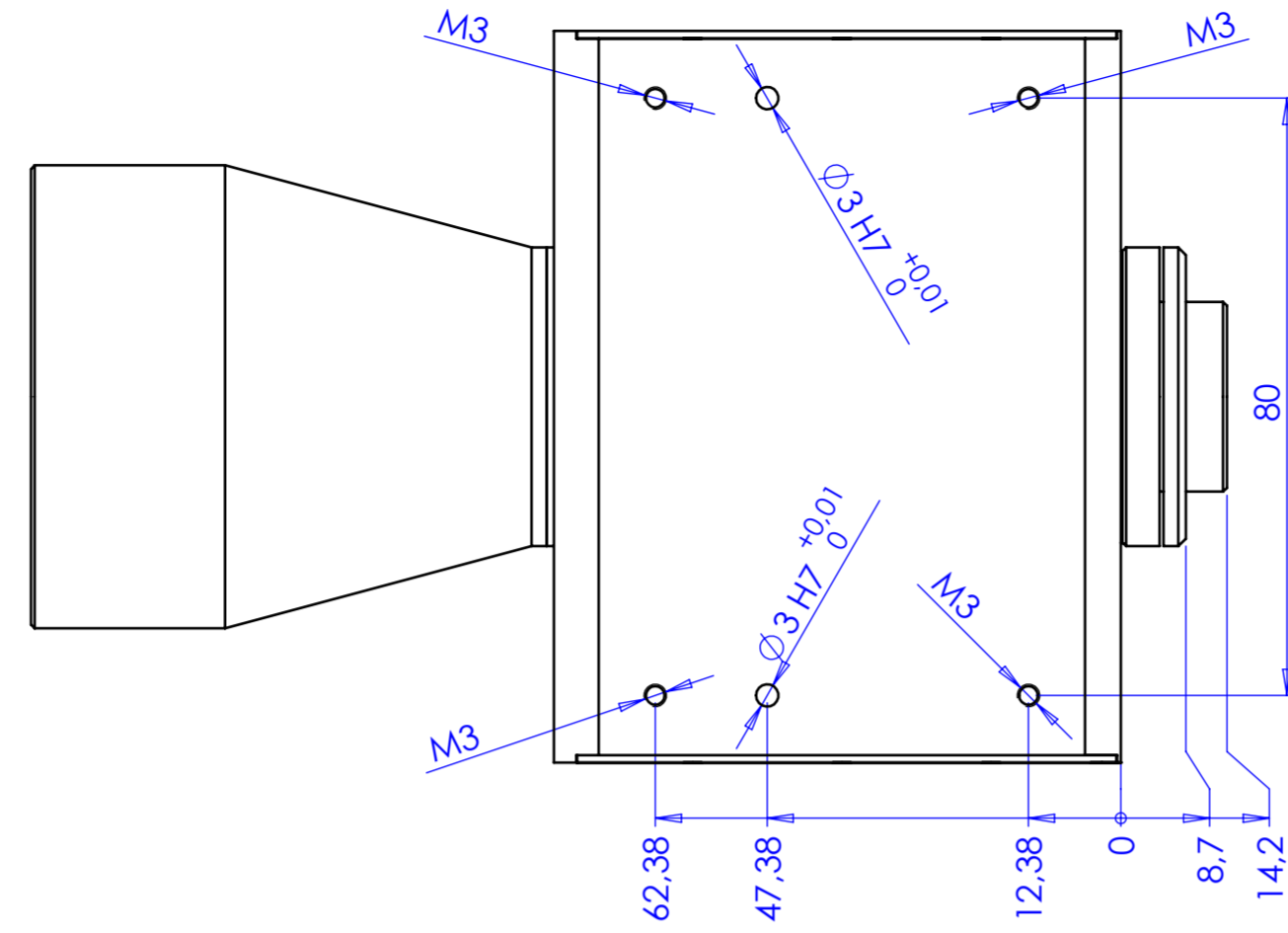


Rev No.	Description	Date	Name



Material		Mass	g	Scale	1:1			
Surface treatment	N.A.	Part No.	CO21120					
Geometrical tolerance (ISO 2768-2)	Class	K	Undimensioned bevels	0.5x45°	Description			
Linear tolerance (ISO 2768-2)	Class	m	Undimensioned radii	R 0.5	MCZR014-003			
0.5	>3+	>6+	>30+	>120	>400+	>1000	>2000	>4000
+3	6	30	120	+400	1000	+2000	+4000	
±0.1	±0.1	±0.2	±0.3	±0.5	±0.8	±1.2	±2	
Designed		Date		Name				
Drawn		Date		Name				
Checked		Date		Name				
Date		Date		Date				
Name		Name		Name				
Drawing No.		Drawing No.		Drawing No.				
Sheet		Sheet		Sheet				
1/1		1/1		1/1				
<p>OPTO ENGINEERING S.p.A. - Mantova Italy - Tel. +39 0376 699111 - www.opto-engineering.com</p> <p>Secret and confidential - All rights reserved - No copy, dissemination or circulation is allowed unless specifically authorized in writing by OPTO ENGINEERING S.p.A. - Any violation shall be legally prosecuted.</p>								

all dimensions are in mm